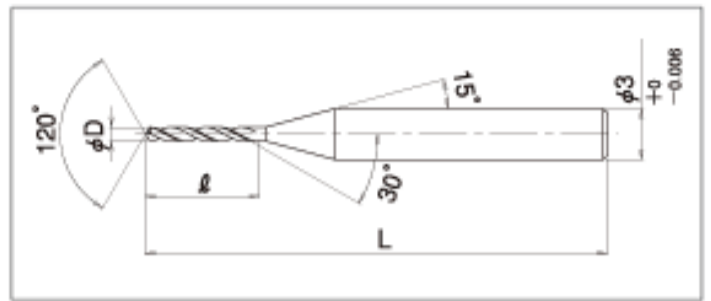


Micro Drill Regular Flute Length

ADR



Two step neck for drill size $\phi 0.02 \sim \phi 0.04$



- Best for drilling precision small holes (smallest diameter $\phi 0.02$)
- Wide application available in work materials, covering from steel to non-ferrous and resin.

ϕ D Tolerance:

+0~-0.005



Unit: mm/inch

CODE NUMBER	Diameter ϕ D	Flute Length ℓ	O. A. L	Shank d
ADR-0002	0.02	0.2	38	3
ADR-0003	0.03	0.3	38	3
ADR-0004	0.04	0.4	38	3
ADR-0005	0.05	0.5	38	3
ADR-0006	0.06	0.6	38	3
ADR-0007	0.07	0.7	38	3
ADR-0008	0.08	0.8	38	3
ADR-0009	0.09	0.9	38	3
ADR-0010	0.1	1.2	38	3
ADR-0011	0.11	1.2	38	3
ADR-0012	0.12	1.4	38	3
ADR-0013	0.13	1.4	38	3
ADR-0014	0.14	1.4	38	3
ADR-0015	0.15	1.8	38	3
ADR-0016	0.16	1.8	38	3
ADR-0017	0.17	1.8	38	3
ADR-0018	0.18	2.1	38	3
ADR-0019	0.19	2.1	38	3
ADR-0020	0.2	2.4	38	3
ADR-0021	0.21	2.4	38	3
ADR-0022	0.22	2.6	38	3
ADR-0023	0.23	2.6	38	3
ADR-0024	0.24	2.6	38	3
ADR-0025	0.25	3	38	3
ADR-0026	0.26	3	38	3
ADR-0027	0.27	3	38	3

CODE NUMBER	Diameter ϕ D	Flute Length ℓ	O. A. L	Shank d
ADR-0028	0.28	3.3	38	3
ADR-0029	0.29	3.3	38	3
ADR-0030	0.3	5	38	3
ADR-0031	0.31	5	38	3
ADR-0032	0.32	5	38	3
ADR-0033	0.33	5	38	3
ADR-0034	0.34	5	38	3
ADR-0035	0.35	5	38	3
ADR-0036	0.36	5	38	3
ADR-0037	0.37	5	38	3
ADR-0038	0.38	5	38	3
ADR-0039	0.39	5	38	3
ADR-0040	0.4	6	38	3
ADR-0041	0.41	6	38	3
ADR-0042	0.42	6	38	3
ADR-0043	0.43	6	38	3
ADR-0044	0.44	6	38	3
ADR-0045	0.45	6	38	3
ADR-0046	0.46	6	38	3
ADR-0047	0.47	6	38	3
ADR-0048	0.48	6	38	3
ADR-0049	0.49	6	38	3
ADR-0050	0.5	6	38	3
ADR-0051	0.51	6	38	3
ADR-0052	0.52	6	38	3
ADR-0053	0.53	6	38	3

Micro Drill Regular Flute Length

ADR

CODE NUMBER	Diameter ØD	Flute Length ℓ	O. A. l L	Shank d
ADR-0054	0.54	6	38	3
ADR-0055	0.55	6	38	3
ADR-0056	0.56	6	38	3
ADR-0057	0.57	6	38	3
ADR-0058	0.58	6	38	3
ADR-0059	0.59	6	38	3
ADR-0060	0.6	7	38	3
ADR-0061	0.61	7	38	3
ADR-0062	0.62	7	38	3
ADR-0063	0.63	7	38	3
ADR-0064	0.64	7	38	3
ADR-0065	0.65	7	38	3
ADR-0066	0.66	7	38	3
ADR-0067	0.67	7	38	3
ADR-0068	0.68	7	38	3
ADR-0069	0.69	7	38	3
ADR-0070	0.7	8	38	3
ADR-0071	0.71	8	38	3
ADR-0072	0.72	8	38	3
ADR-0073	0.73	8	38	3
ADR-0074	0.74	8	38	3
ADR-0075	0.75	8	38	3
ADR-0076	0.76	8	38	3
ADR-0077	0.77	8	38	3
ADR-0078	0.78	8	38	3
ADR-0079	0.79	8	38	3
ADR-0080	0.8	8	38	3
ADR-0081	0.81	8	38	3
ADR-0082	0.82	8	38	3
ADR-0083	0.83	8	38	3
ADR-0084	0.84	8	38	3
ADR-0085	0.85	8	38	3
ADR-0086	0.86	8	38	3
ADR-0087	0.87	8	38	3
ADR-0088	0.88	8	38	3
ADR-0089	0.89	8	38	3
ADR-0090	0.9	8	38	3
ADR-0091	0.91	8	38	3
ADR-0092	0.92	8	38	3
ADR-0093	0.93	8	38	3
ADR-0094	0.94	8	38	3
ADR-0095	0.95	8	38	3
ADR-0096	0.96	8	38	3
ADR-0097	0.97	8	38	3

CODE NUMBER	Diameter ØD	Flute Length ℓ	O. A. l L	Shank d
ADR-0098	0.98	8	38	3
ADR-0099	0.99	8	38	3
ADR-0100	1	10	38	3
ADR-0101	1.01	10	38	3
ADR-0102	1.02	10	38	3
ADR-0103	1.03	10	38	3
ADR-0104	1.04	10	38	3
ADR-0105	1.05	10	38	3
ADR-0106	1.06	10	38	3
ADR-0107	1.07	10	38	3
ADR-0108	1.08	10	38	3
ADR-0109	1.09	10	38	3
ADR-0110	1.1	10	38	3
ADR-0111	1.11	10	38	3
ADR-0112	1.12	10	38	3
ADR-0113	1.13	10	38	3
ADR-0114	1.14	10	38	3
ADR-0115	1.15	10	38	3
ADR-0116	1.16	10	38	3
ADR-0117	1.17	10	38	3
ADR-0118	1.18	10	38	3
ADR-0119	1.19	10	38	3
ADR-0120	1.2	10	38	3
ADR-0121	1.21	10	38	3
ADR-0122	1.22	10	38	3
ADR-0123	1.23	10	38	3
ADR-0124	1.24	10	38	3
ADR-0125	1.25	10	38	3
ADR-0126	1.26	10	38	3
ADR-0127	1.27	10	38	3
ADR-0128	1.28	10	38	3
ADR-0129	1.29	10	38	3
ADR-0130	1.3	10	38	3
ADR-0131	1.31	10	38	3
ADR-0132	1.32	10	38	3
ADR-0133	1.33	10	38	3
ADR-0134	1.34	10	38	3
ADR-0135	1.35	10	38	3
ADR-0136	1.36	10	38	3
ADR-0137	1.37	10	38	3
ADR-0138	1.38	10	38	3
ADR-0139	1.39	10	38	3
ADR-0140	1.4	10	38	3
ADR-0141	1.41	10	38	3

Micro Drill Regular Flute Length

ADR

CODE NUMBER	Diameter ØD	Flute Length ℓ	O. A. l L	Shank d
ADR-0142	1.42	10	38	3
ADR-0143	1.43	10	38	3
ADR-0144	1.44	10	38	3
ADR-0145	1.45	10	38	3
ADR-0146	1.46	10	38	3
ADR-0147	1.47	10	38	3
ADR-0148	1.48	10	38	3
ADR-0149	1.49	10	38	3
ADR-0150	1.5	10	38	3
ADR-0151	1.51	10	38	3
ADR-0152	1.52	10	38	3
ADR-0153	1.53	10	38	3
ADR-0154	1.54	10	38	3
ADR-0155	1.55	10	38	3
ADR-0156	1.56	10	38	3
ADR-0157	1.57	10	38	3
ADR-0158	1.58	10	38	3
ADR-0159	1.59	10	38	3
ADR-0160	1.6	22	50	3
ADR-0161	1.61	22	50	3
ADR-0162	1.62	22	50	3
ADR-0163	1.63	22	50	3
ADR-0164	1.64	22	50	3
ADR-0165	1.65	22	50	3
ADR-0166	1.66	22	50	3
ADR-0167	1.67	22	50	3
ADR-0168	1.68	22	50	3
ADR-0169	1.69	22	50	3
ADR-0170	1.7	22	50	3
ADR-0171	1.71	22	50	3
ADR-0172	1.72	22	50	3
ADR-0173	1.73	22	50	3
ADR-0174	1.74	22	50	3
ADR-0175	1.75	22	50	3
ADR-0176	1.76	22	50	3
ADR-0177	1.77	22	50	3
ADR-0178	1.78	22	50	3
ADR-0179	1.79	22	50	3
ADR-0180	1.8	22	50	3
ADR-0181	1.81	22	50	3
ADR-0182	1.82	22	50	3
ADR-0183	1.83	22	50	3
ADR-0184	1.84	22	50	3
ADR-0185	1.85	22	50	3

CODE NUMBER	Diameter ØD	Flute Length ℓ	O. A. l L	Shank d
ADR-0186	1.86	22	50	3
ADR-0187	1.87	22	50	3
ADR-0188	1.88	22	50	3
ADR-0189	1.89	22	50	3
ADR-0190	1.9	22	50	3
ADR-0191	1.91	22	50	3
ADR-0192	1.92	22	50	3
ADR-0193	1.93	22	50	3
ADR-0194	1.94	22	50	3
ADR-0195	1.95	22	50	3
ADR-0196	1.96	22	50	3
ADR-0197	1.97	22	50	3
ADR-0198	1.98	22	50	3
ADR-0199	1.99	22	50	3
ADR-0200	2	22	50	3
ADR-0201	2.01	22	50	3
ADR-0202	2.02	22	50	3
ADR-0203	2.03	22	50	3
ADR-0204	2.04	22	50	3
ADR-0205	2.05	22	50	3
ADR-0206	2.06	22	50	3
ADR-0207	2.07	22	50	3
ADR-0208	2.08	22	50	3
ADR-0209	2.09	22	50	3
ADR-0210	2.1	22	50	3
ADR-0211	2.11	22	50	3
ADR-0212	2.12	22	50	3
ADR-0213	2.13	22	50	3
ADR-0214	2.14	22	50	3
ADR-0215	2.15	22	50	3
ADR-0216	2.16	22	50	3
ADR-0217	2.17	22	50	3
ADR-0218	2.18	22	50	3
ADR-0219	2.19	22	50	3
ADR-0220	2.2	22	50	3
ADR-0221	2.21	22	50	3
ADR-0222	2.22	22	50	3
ADR-0223	2.23	22	50	3
ADR-0224	2.24	22	50	3
ADR-0225	2.25	22	50	3
ADR-0226	2.26	22	50	3
ADR-0227	2.27	22	50	3
ADR-0228	2.28	22	50	3
ADR-0229				

Micro Drill Regular Flute Length

ADR

CODE NUMBER	Diameter ØD	Flute Length ℓ	O. A. l L	Shank d
ADR-0230	2.3	22	50	3
ADR-0231	2.31	22	50	3
ADR-0232	2.32	22	50	3
ADR-0233	2.33	22	50	3
ADR-0234	2.34	22	50	3
ADR-0235	2.35	22	50	3
ADR-0236	2.36	22	50	3
ADR-0237	2.37	22	50	3
ADR-0238	2.38	22	50	3
ADR-0239	2.39	22	50	3
ADR-0240	2.4	22	50	3
ADR-0241	2.41	22	50	3
ADR-0242	2.42	22	50	3
ADR-0243	2.43	22	50	3
ADR-0244	2.44	22	50	3
ADR-0245	2.45	22	50	3
ADR-0246	2.46	22	50	3
ADR-0247	2.47	22	50	3
ADR-0248	2.48	22	50	3
ADR-0249	2.49	22	50	3
ADR-0250	2.5	22	50	3
ADR-0251	2.51	22	50	3
ADR-0252	2.52	22	50	3
ADR-0253	2.53	22	50	3
ADR-0254	2.54	22	50	3
ADR-0255	2.55	22	50	3
ADR-0256	2.56	22	50	3
ADR-0257	2.57	22	50	3
ADR-0258	2.58	22	50	3
ADR-0259	2.59	22	50	3
ADR-0260	2.6	22	50	3
ADR-0261	2.61	22	50	3
ADR-0262	2.62	22	50	3
ADR-0263	2.63	22	50	3
ADR-0264	2.64	22	50	3
ADR-0265	2.65	22	50	3
ADR-0266	2.66	22	50	3
ADR-0267	2.67	22	50	3
ADR-0268	2.68	22	50	3
ADR-0269	2.69	22	50	3
ADR-0270	2.7	25	50	3
ADR-0271	2.71	25	50	3
ADR-0272	2.72	25	50	3
ADR-0273	2.73	25	50	3

CODE NUMBER	Diameter ØD	Flute Length ℓ	O. A. l L	Shank d
ADR-0274	2.74	25	50	3
ADR-0275	2.75	25	50	3
ADR-0276	2.76	25	50	3
ADR-0277	2.77	25	50	3
ADR-0278	2.78	25	50	3
ADR-0279	2.79	25	50	3
ADR-0280	2.8	25	50	3
ADR-0281	2.81	25	50	3
ADR-0282	2.82	25	50	3
ADR-0283	2.83	25	50	3
ADR-0284	2.84	25	50	3
ADR-0285	2.85	25	50	3
ADR-0286	2.86	25	50	3
ADR-0287	2.87	25	50	3
ADR-0288	2.88	25	50	3
ADR-0289	2.89	25	50	3
ADR-0290	2.9	25	50	3
ADR-0291	2.91	25	50	3
ADR-0292	2.92	25	50	3
ADR-0293	2.93	25	50	3
ADR-0294	2.94	25	50	3
ADR-0295	2.95	25	50	3
ADR-0296	2.96	25	50	3
ADR-0297	2.97	25	50	3
ADR-0298	2.98	25	50	3
ADR-0299	2.99	25	50	3
ADR-0300	3	25	50	3